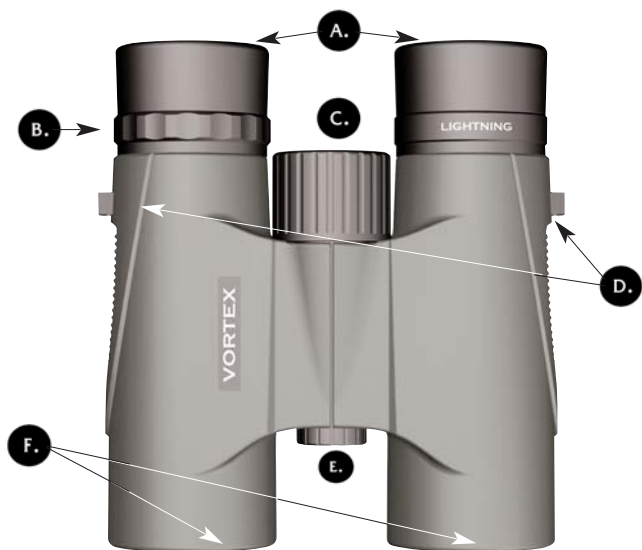


# VORTEX



**LIGHTNING**  
**8x32 - 10x32**

## Vortex Lightning 8x32 - 10x32



A. Eyecups

B. Diopter ring

C. Focus Wheel

D. Neckstrap attachment points

E. Tripod adapter socket

F. Objective lenses

Congratulations on your purchase of the Lightning binoculars. We know you'll find that these binoculars offer excellent optical resolution and performance and are of tremendous value for all your outdoor experiences.

The Lightning features multi-coated optics for high light transmission and bright images. The Lightning body is lightweight but very rugged and durable. The Lightnings sport an internal focusing mechanism, O-rings at (cont.)

all open points, and a nitrogen-purging process to completely seal the binoculars, making them waterproof, dustproof and internally fogproof.

### Note for Eyeglass Wearers

The Lightnings feature long eye relief and retractable eyecups for comfortable viewing whether you wear eyeglasses or not, and to reduce the bothersome effects of lateral light.

- If you plan on wearing eyeglasses/sunglasses, make sure the retractable eyecups remain twisted in towards the binocular body (see **A** below). If the eyecups are twisted out, the view through the binoculars will appear as though you are looking through a tunnel.
- If you do NOT wear eyeglasses or sunglasses, twist up the retractable eyecups in order to see the full field of view (see **B** below). If you do NOT have the eyecups positioned correctly, you will note black “crescents” in your field of view.



## Attaching the neckstrap

1. Starting with the right barrel of the binoculars, push the right end of the strap through the right strap attachment point. Push a workable amount of the strap through.



2. Loop the strap over the attachment point and insert into the strap buckle.

3. Push the strap through the buckle.



4. Secure the excess strap by putting it into the strap loop.

5. Continue with the left side of the strap in the same manner as the right. Your binocular strap is now secured, though you may feel the need to adjust the strap to get the best fit.

Note: if you wish to attach the rainguard (the one-piece eyepiece guard) to the strap, push the

strap through the left slot of the rainguard before putting the strap through that side of your binoculars.



### **Adjusting for interpupillary distance**

In order to see one singular image, you must adjust the two barrels of the binoculars to your interpupillary distance (the distance from left pupil to right). To do this, turn the barrels of the binoculars on their central hinge until you see one singular field of view with no disturbing shadows.

### **Focusing your binoculars**

The Lightning features a large center focus knob along with a diopter adjustment ring on the right ocular.

The diopter adjusts for differences between your individual eyes. The correct procedure for attaining proper focal balance using the center focus knob and the diopter adjustment ring is:

a. Adjust the binocular barrels for your interpupillary distance (see above). (cont.)

- b. With your right eye closed (or with your hand over the right objective lens), focus your left eye on a distant object with the center focus wheel until the targeted object is in sharp focus.
- c. Now adjust for your right eye. To do this, close your left eye (or, again, place your hand over the left objective lens) and focus your right eye on that same distant object. Focus using the diopter adjustment ring until the object is sharply focused. Your binoculars should now be adjusted to provide a clear and comfortable image.

### **Keeping your lenses clean**

To maintain the optical brilliance of your Lightning binoculars, it is important to keep the lens surfaces free of dirt, oils and dust. Utilize the rainguard, objective lens caps, and carry case for protection in the field. On occasion, the lenses of your binoculars will need to be cleaned. It is important to recognize that there are some guidelines to follow when cleaning.

First, be sure the lenses are free of dust or grit before wiping to prevent any scratching on the glass. Clean by using a can of pressurized air or a soft camel's hair brush (acrylic optical brushes are also available and work well).

Second, fog the lenses with your own breath to help clear the lens of smudges, fingerprints or eyelash oil. Use only a non-abrasive cloth such as the provided lens cloth, cham-ois, or silk. Cleaning fluid & optical paper is available and can be used as well. NEVER use facial tissue, heavy cotton or flannel clothing as such items can scratch your lenses.

### **Caution!**

Never look directly into the sun (or any other intensive light source) while using your Lightning binoculars (or any binoculars)! This could damage the retina and cornea of your eyes and even cause blindness!



This Vortex product has been built with our commitment to your absolute satisfaction; it is engineered to last and is unconditionally guaranteed. Vortex pledges this Very Important Promise to you, a Very Important Person, and that's why we call it the VIP warranty.

- In the event that your Vortex product requires service, no matter the cause\*, Vortex Optics will repair or replace it (at our discretion) at no charge to you.
- There are no warranty cards to fill out and the VIP warranty is completely transferable.
- There is no time limit on our promise\*\*.

In the event that you need warranty service, direct your inquiries to:

Vortex Optics  
2120 West Greenview Drive  
Middleton, WI 53562  
800-518-0854

\* The VIP warranty does not include occurrences of loss, theft, deliberate damage, and damage as a result of unauthorized repair, modification, or disassembly.

\*\* Vortex Optics reserves the right to replace warranted product with a product of similar value and/or with similar specifications in the event that the original product is no longer manufactured or discontinued.

