



VORTEX

STOKES BIRDING SERIES



Congratulations on your purchase of the Stokes DLS binoculars in our Stokes Birding Series line of optics.

For 25 years, we have been deeply committed to helping the public appreciate, enjoy, and understand birds and nature through our 30 books and our public television series. We realize that one of the best ways to bring nature close and see its true wonder and beauty is by having great binoculars.

We were totally impressed with these binoculars as soon as we tried them and have never since put them down. We use them for birding as we travel across the nation watching birds, and we use them to watch mammals and other wildlife.

We know that using these binoculars will bring the excitement of birds and the beauty of nature to you in a brand new way. Enjoy them and we wish you well with all your bird watching and enjoyment of nature.

Best Wishes,
Don and Lillian Stokes

Vortex Birding Series DLS 8x42 - 10x42

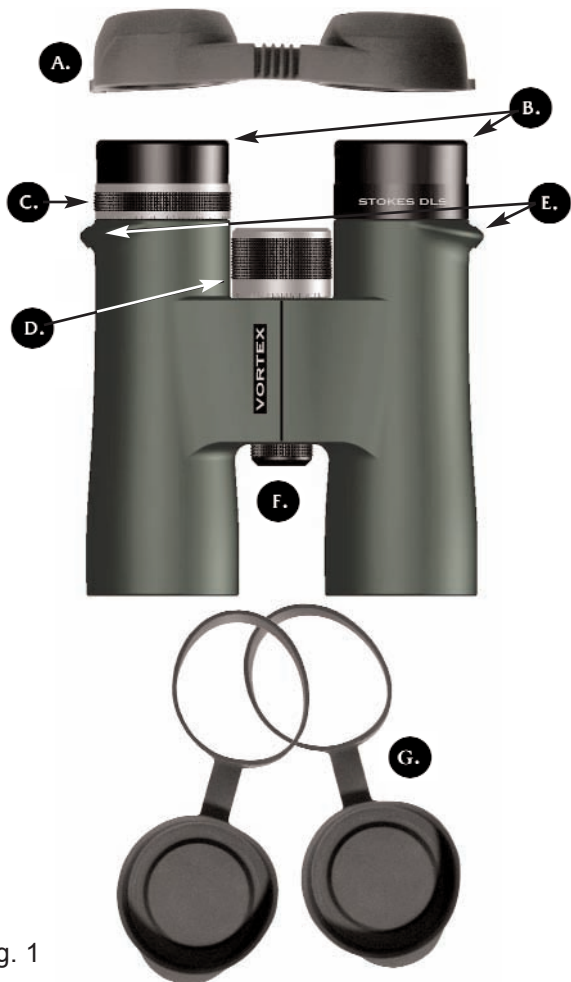


Fig. 1

- A. Rainguard
- B. Eyecups
- C. Diopter Adjustment Ring
- D. Focus Wheel
- E. Neckstrap attachment points
- F. Tripod adapter socket
- G. Objective Lens Covers

Caution!

Never look directly into the sun (or any other intensive light source) while using your Vortex DLS binoculars (or any binoculars)! This could damage the retina and cornea of your eyes and even cause blindness!

Adjusting the retractable eyecups

Vortex DLS binoculars feature long eye relief with innovative multi-position retractable eyecups to offer comfortable viewing for all users - whether you wear eyeglasses or not.



Fig. 2

If you wear eyeglasses/sunglasses, make sure the retractable eyecups are left twisted in toward the binoculars body. If the eyecups are twisted out, it will appear as though you are looking through a tunnel.

If you do NOT wear eyeglasses or sunglasses, twist the retractable eyecups out to the desired position in order to see the full field of view. If you do NOT have the eyecups positioned correctly, you will note black "crescents" in your field of view.

Attaching the neckstrap

Starting with the right barrel of the binoculars, push the right end of the strap through the right strap attachment point. Push a workable amount of the strap through. Loop the strap over the attachment point and insert into the strap buckle. Push the strap through the buckle, and secure the excess strap by putting it into the strap loop. Before continuing with the left barrel, attach the binocular rainguard to the strap by pushing the strap through the left slot on the rainguard (the right side of the rainguard is split in the center for easy on-off). Continue with the left side of the strap in the same manner as the right. Your binocular strap is now secured, though you may feel the need to adjust the strap to get the best fit.

Fig. 3



Adjusting for interpupillary distance

In order to see one singular image, you must adjust the two barrels of the binoculars to your interpupillary distance (the distance from left pupil to right). To do this, turn the barrels of the binoculars on their central hinge until you see one singular field of view with no disturbing shadows.

Fig. 4



Focusing your binoculars

The Vortex DLS features a large center focus knob along with a diopter adjustment ring on the right ocular. The diopter adjusts for differences between your individual eyes. The correct procedure for attaining proper focal balance using the center focus knob and the diopter adjustment ring is:

- a. Adjust the binocular barrels for your interpupillary distance (see Fig. 4). (Continued)

- b. With your right eye closed (or with your hand over the right objective lens), focus your left eye on a distant object using the center focus wheel until the targeted object is in sharp focus.
- c. Now adjust for your right eye. To do this, close your left eye (or, again, place your hand over the left objective lens) and focus your right eye on that same distant object, using the diopter adjustment ring, until the object is sharply focused. Your binoculars should now be adjusted to provide a clear and comfortable image and can now be focused using just the center focus wheel.

Using the tripod adapter

For your convenience, the DLS binoculars include a socket with standard threading (located between the two objective lens barrels) for adapting your binoculars to a tripod using a tripod adapter (both tripod and adapter sold separately). Simply unscrew the threaded cap and thread the tripod adapter into the socket.

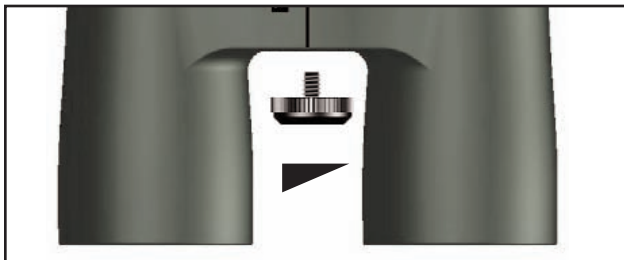


Fig. 5

Keeping your lenses clean

To maintain the optical brilliance of your Vortex DLS binoculars, it is important to keep the lens surfaces free of dirt, oils and dust. On occasion, the lenses of your binoculars will need to be cleaned. It is important to recognize that there are some guidelines to follow when cleaning.

First, be sure the lenses are free of dust or grit before wiping to prevent any scratching on the glass. Clean by using a can of pressurized air or a soft camel's hair brush (acrylic optical brushes are also available and work well).

Second, fog the lenses with your own breath to help clear the lens of smudges, fingerprints or eyelash oil. Most importantly, use only a non-abrasive cloth such as the provided lens cloth, chamois, or silk. Cleaning fluid and optical paper is also available and can be used as well. NEVER use facial tissue, heavy cotton or flannel clothing as such items can scratch your lenses.

Lastly, utilize the rainguard and objective lens caps for extra protection in the field, and keep your binoculars stored in their case when not in use.



Vortex commits to you a Very Important Promise.

This Vortex product was built to last and is unconditionally guaranteed. It has been built with our commitment to your absolute satisfaction. Rest assured that if your Stokes DLS binoculars should ever require service, no matter what the cause, we will repair or replace your binocular absolutely FREE*. That's why we call it a VIP Warranty - a Very Important Promise for you, a Very Important Person.

There are no warranty cards to fill out and your new warranty is completely transferable. There is no time limit on our Promise. You can enjoy and use these binoculars with the confidence the VIP Warranty brings you. To maintain this warranty, no unauthorized service, modification, or disassembly can occur. Warranty does not cover theft, loss or deliberate damage.

*Vortex will select repair or replace at company discretion.

All repair or service inquiries should be directed to:

Vortex Optics
2120 West Greenview Drive, Suite 4
Middleton, WI 53562
800-518-0854

TOP SYSTEM

Total Optical Performance System

An exclusive, integrated system combining advanced and sophisticated mechanical and optical components that deliver images of superior visual quality and clarity.

1. Next generation, pure silver coated, phase-corrected prisms for the highest image contrast and resolution.
2. Precisely engineered and enhanced optical tube design to eliminate annoying glare and image ghosting.
3. High density prism glass and lens elements for exceptional image brightness and sharpness.
4. Twilight optimized multi-layered lens element coatings for optimal low light performance.
5. Highly polished and precision shaped lens elements and prisms for true “flat field” performance and minimal spherical distortion.
6. XHR (eXtremely High Resolution) fully multi-layered coatings to deliver excellence in resolution and color fidelity.
7. Rugged and solidly built prism and lens housings to withstand the most demanding conditions.
8. Waterproof construction that is nitrogen purged and sealed to endure the harshest environments.
9. Precisely designed optical system for particularly clear and precise focusing from extremely close range to infinity.
10. Environmental friendly arsenic free and lead free optical glass elements.